

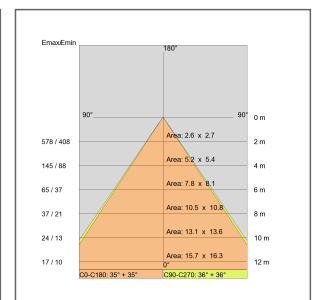
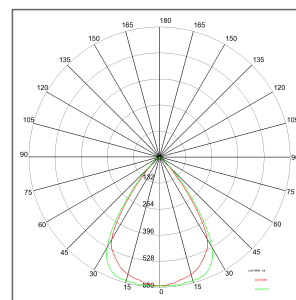
NET RANGE MCL

COD: 63056-LBI-60

Use:
inside, led
Installation:
Ceiling mounted
Body/structure:
Aluminium body and die-cast aluminium ring
Coating:
Epoxy powder coating for inside use
Colour:
White
Optic/reflector:
99,8% pure aluminium reflector
Glass/diffuser:
Clear tempered glass
Cable gland:
Silicon rubber cable gland
Control gear:
Integrated LED diodes ballast, stabilized output current 700mA dc

Voltage: 220-240V 50/60Hz
Beam angle: Simmetric flood beam 60 Degrees
Insulation class: Insulation class 1
Weight: 2,700 kg
IP rating: 20
Glow wire: [850 °C]
Lamp included: Yes
Kind of led: Power LED
Lamp wattage: 25 W
Lamp luminous flux: 2550 lm
Colour temperature: 4000K
CRI: 80

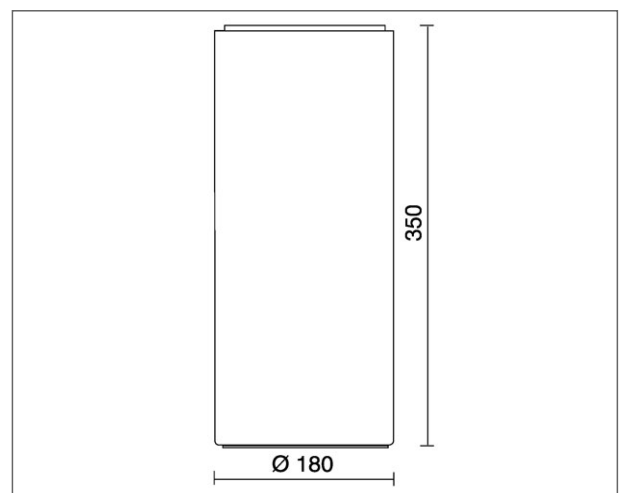
Review board: 28-11-2013



Lamp: 1 x LED +/- 25 W 2550 lm

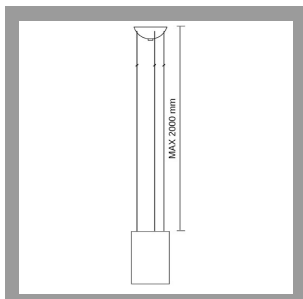


IP 20

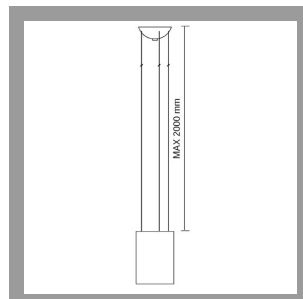


NET RANGE MCL

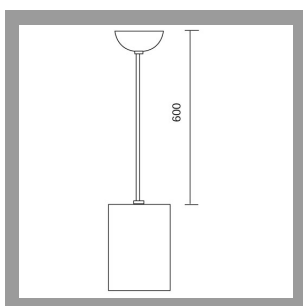
COD: 63056-LBI-60



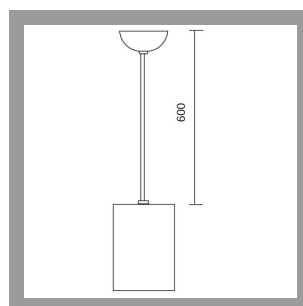
62000-11 .
Kit funi di acciaio per
sospensione NET R



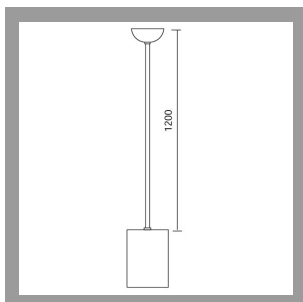
62000-10 .
Kit funi di acciaio per
sospensione NET R



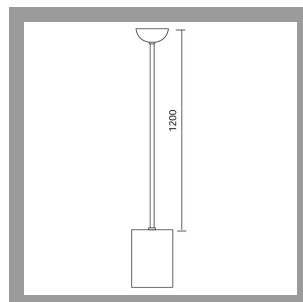
999051 .
Kit tige rigida per sospensione
NET R



999052 .
Kit tige rigida per sospensione
NET R



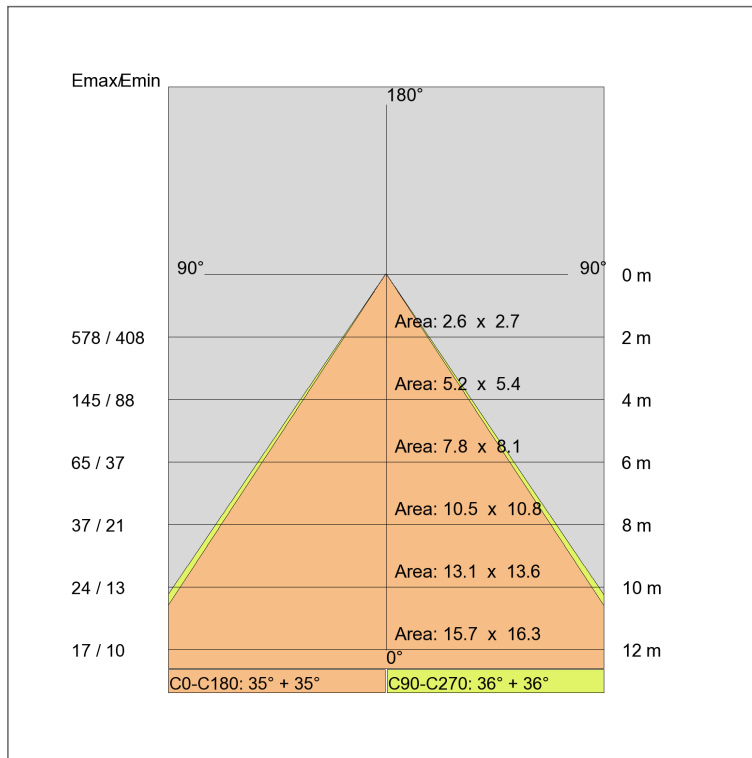
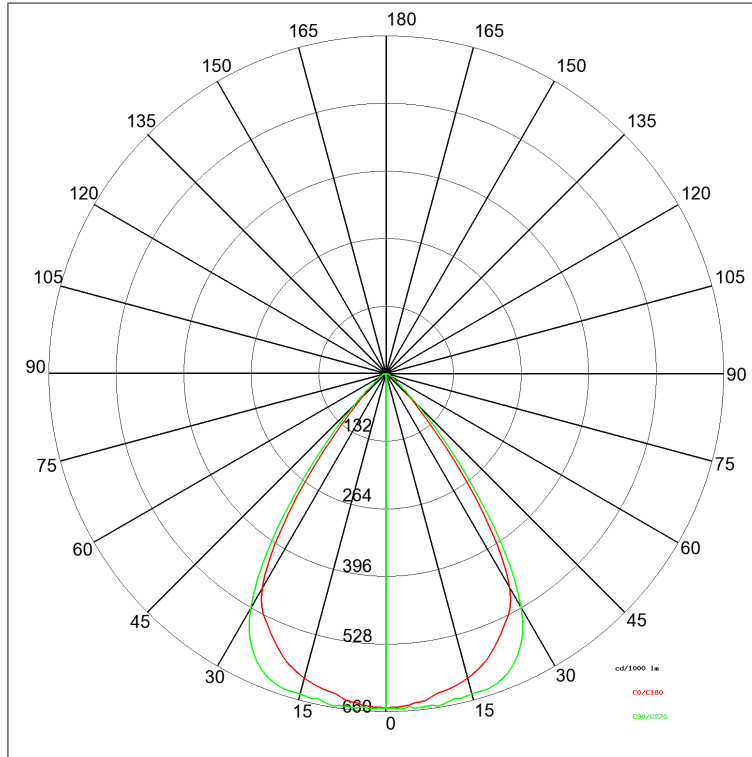
999061 .
Kit tige rigida per sospensione
NET R



999062 .
Kit tige rigida per sospensione
NET R

NET RANGE MCL

COD: 63056-LBI-60



NET RANGE MCL
COD: 63056-LBI-60

